



- Suitable for use in Custom Power Supplies
- Provides high voltage DC to TDK-Lambda's PH & PAF Power Modules
- Parallel operation on PF Series
- 12.7mm profile

PF Series

Rectifier & Power Factor Correction Modules

PF Features and Benefits

Features

- Low profile
- Parallel
- Power Factor corrected (PF)
- Operation up to 85°C

Benefits

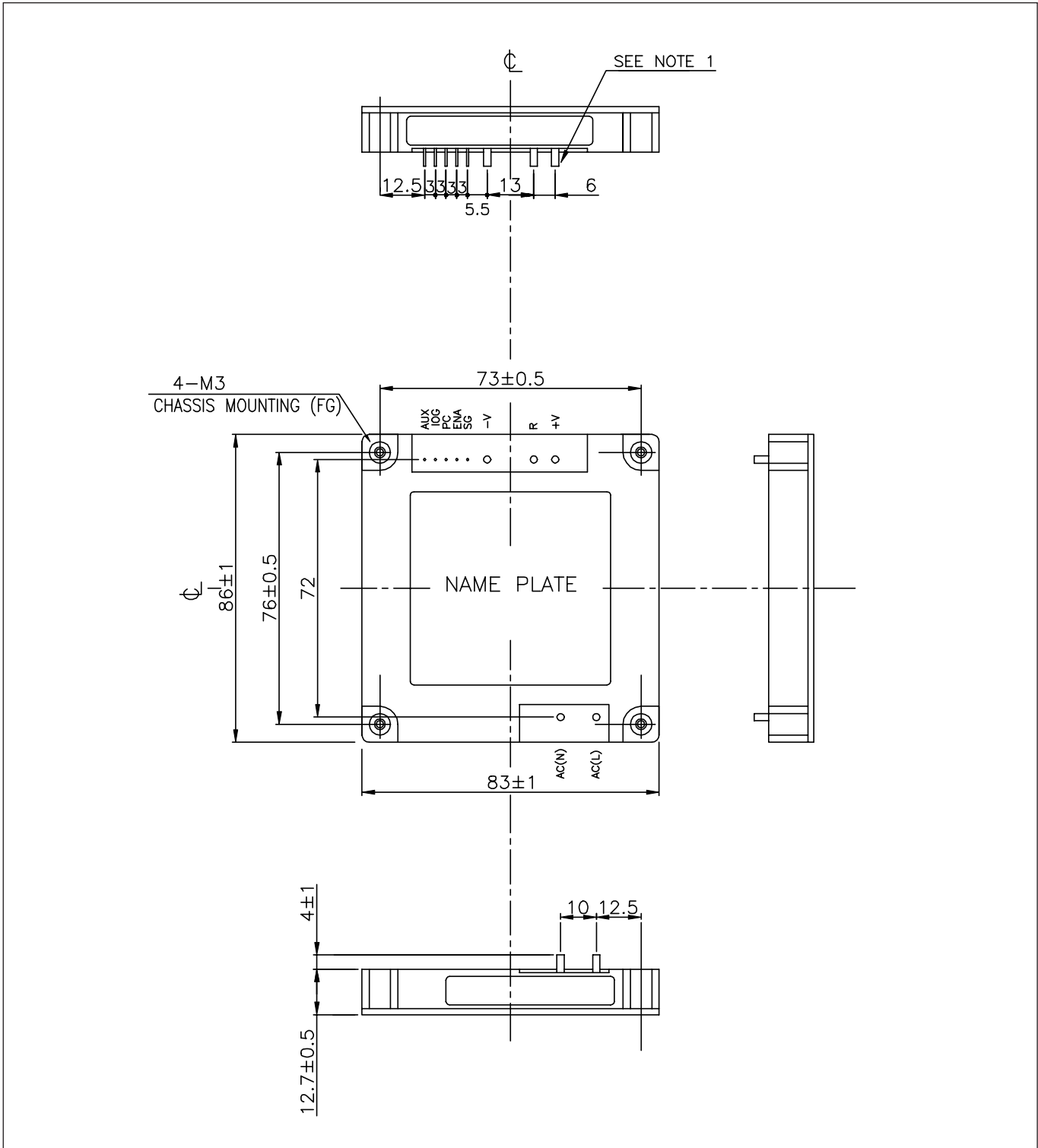
- Assist system integration
- For higher power or N+1 operation
- Supports Global Use
- Operates in harsh environments

Specifications

Items		PF500A-360	PF1000A-360
AC Input Voltage range & Frequency	VAC	85-265 wide range	
Input Frequency	-	47 - 63Hz	
Output Voltage	VDC	360	
Output Power at 100/200VAC	W	504/756W	1008/1512W
Load Regulation	-	10V	
Line Regulation	-	5V typical	
Inrush Current	A	External pins provided connection for in rush resistor	
Efficiency (typ) at full load	%	90% (100VAC), 95% (200VAC)	
Power Factor	-	Meets EN61000-3-2 (0.95 typical)	
Overcurrent Protection	-	Converter shutdown	
Overvoltage Protection	V	390 - 400VDC, manual reset	
Thermal Shutdown	-	Shuts down Inverter, manual reset	
Inverter Good Signal	-	Yes, when inverter is operating correctly	
Enable Signal	-	Signal provided to enable "PH" DC-DC converters	
Parallel Connection	-	Single wire current share	
Auxiliary Output Voltage	-	Yes - see installation manual	
Operating Baseplate Temperature	°C	-20°C to +85°C (no derating)	
Storage Temperature	°C	-40°C to +85°C	
Cooling	-	Conduction (see installation manuals for heatsinks)	
Withstand Voltage	-	Input - Ground 3kVAC for 1 min	
Safety Agency Approvals	-	UL60950-1, CSA22.2 No.60950-1, EN60950-1, & CE Mark	
Weight	g	130	200
Size (WxHxD)	mm	See outline line drawings	
Warranty	yrs	2	

Notes: (Consult Installation Manual for detailed specifications, test methods and application notes)

Outline Drawing PF500A



Outline Drawing PF1000A

